



**File Name:** cuisinart juicer manual.pdf

**Size:** 3977 KB

**Type:** PDF, ePub, eBook

**Category:** Book

**Uploaded:** 21 May 2019, 17:40 PM

**Rating:** 4.6/5 from 828 votes.

**Status:** AVAILABLE

Last checked: 12 Minutes ago!

**In order to read or download cuisinart juicer manual ebook, you need to create a FREE account.**

[\*\*Download Now!\*\*](#)

eBook includes PDF, ePub and Kindle version

[Register a free 1 month Trial Account.](#)

[Download as many books as you like \(Personal use\)](#)

[Cancel the membership at any time if not satisfied.](#)

[Join Over 80000 Happy Readers](#)

### Book Descriptions:

We have made it easy for you to find a PDF Ebooks without any digging. And by having access to our ebooks online or by storing it on your computer, you have convenient answers with cuisinart juicer manual . To get started finding cuisinart juicer manual , you are right to find our website which has a comprehensive collection of manuals listed.

Our library is the biggest of these that have literally hundreds of thousands of different products represented.



## Book Descriptions:

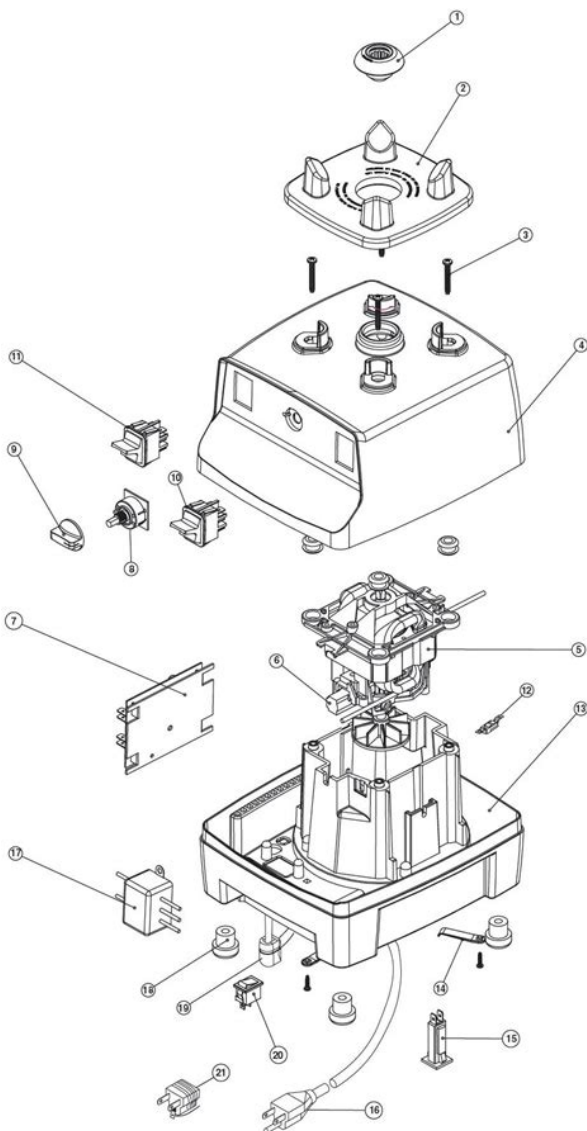
# cuisinart juicer manual



Depression, ADHD, memory loss, agitation These may seem like inevitable byproducts of modern lives spent multitasking, not getting enough sleep, and operating on digital overload. But while much of the brain's work still remains a mystery, a growing body of scientific evidence suggests that the food you eat directly affects how well your brain functions. Brain health also pl. The guests range from super celebs Jamie Foxx, Arnold Schwarzenegger, etc. and athletes icons of powerlifting, gymnastics, surfing, etc. to legendary Special Operations commanders and blackmarket biochemists. For most of my guests, it's the first time they. An established brand that has been producing juicers for over 10 years, we take a look at the cuisinart juice extractors and cuisinart citrus juicer to see how they stack up against the competition in 2020. The CJE 1000 juicer has 1000 watts of power and 5 speed settings for different types of fruits and vegetables. This juicer is sturdy. Housed in diecast and stainless steel, the Cuisinart juicer also has BPA free plastic parts and all removable parts are dishwasher safe. Here is a run down of what we like the most about the Cuisinart model CJE 1000 Juicer In 2020, it is common to see 2 juice settings in centrifugal juicers, but not five. We were wondering how these 5 speed settings worked and if they actually made a difference when juicing different fruits and vegetables. Also, how do you know which speed setting is appropriate. As a

bonus with the Cuisinart juicer, Cuisinart include a juice recipe book with recommended settings for different types of fruits and veggies. Here is a guide for the most common fruits and vegetables used for juicing Cuisinart also include a cleaning brush to assist with quick clean up. The included pitcher holds up to 16oz of juice. The pulp container collects up to 40 oz of pulp. I'm hoping we summed this juicer up in our image above, where we stated it was a no frills juicer. <http://swampseafood.com/userfiles/how-to-manually-restore-iphone-4s-without-itunes.xml>

- **cuisinart juicer manual, cuisinart citrus juicer manual, cuisinart compact juicer manual, cuisinart juicer cje 1000 manual, cuisinart little pro plus juicer manual, cuisinart juicer manual, cuisinart juicer manual, cuisinart juicer manual cje 500, cuisinart juicer manual, cuisinart citrus juicer manual, cuisinart citrus juicer manual ccj-500, cuisinart juicer ccj-500 manual.**



There are no fancy speed settings, just on and off. There are 6 parts to clean in total, which is no different to the larger, more powerful Cuisinart CJE 1000 juicer. Granted, it is a smaller juicer. Most compact juicers are in the 400 to 700 watt range, so this is average for a compact centrifugal juicer. The CJE 500 also offers a wide 3 inch chute to make light work of juicing larger fruits and vegetables. Cuisinart is a fantastic brand and built to last. It is comparable in quality to the Breville Juicers. It is more compact and less expensive than the Breville Juice Fountain Compact and the 3

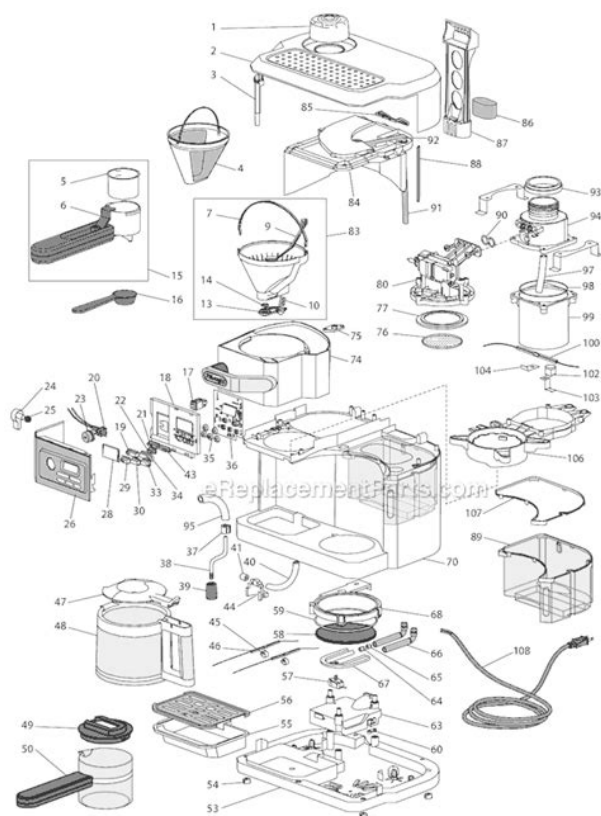
year warranty is much better than the 1 year offered by Breville. The Cuisinart Compact Juicer really is compact, measuring just 11.5 inches x 11.75 inches x 14.25 inches. Weight is under 10 pounds. If you like to juice everyday and only juice for yourself, this is a budget friendly juicer with a small footprint that is backed by an awesome 3 year warranty. Here's what we love aside from the price! Some consumers have said small limes are ok, whereas others have said key limes are too small for the one size reamer. Juicing lemons and oranges with the Cuisinart Citrus Juicer is an easy task. There is also a final spin feature on this citrus juicer which gets an extra bit of pulp and juice combined. Most consumers love this final spin feature. If you are juicing in bulk you may find you need to clean out the pulp filter more often, however, this is likely to be the case with any citrus juicer. Like all Cuisinart juicers, the citrus juicer is covered by a 3 year warranty if anything goes wrong. You can buy Cuisinart juicer parts on the Cuisinart website. Cuisinart offer replacement parts on Amazon for some of their coffee makers, blenders and water filters, but unfortunately no replacement parts for juicers, at the time of writing.<http://hotelpeakforum.com/userfiles/how-to-manually-restart-the-w3svc-service-on-the-awebsvc.xml>



Types of replacement parts available Here is what you need to know about the Cuisinart juicer warranty Make sure you rinse the juicer parts under clean water immediately after use. If you leave fruit or vegetable pulp on the juicer screen it can clog the tiny holes and make your juicer less efficient. Both models of cuisinart juice extractors include a brush to clean the filter screens. This does not apply with the pulp control citrus juicer. If washing your juicer parts by hand, use dishwashing detergent only. Be sure to NEVER immerse the motor of your juicer in water, wipe with a damp cloth only. Do not use any products containing ammonia, or scouring powders on your juicer or juicer parts. These products can scratch and dull the finish and your juicer will never look the same again. We like the die cast and stainless steel construction, dishwasher safe parts, replacement part options and BPA free plastic. The 3 year warranty is also impressive. All of this combined does make for a slightly more expensive juicer, particularly when you are looking at die cast and stainless steel construction. If you are on a tight budget and not loyal to the Cuisinart brand, take a look at the Hamilton Beach Juicers. They are not necessarily any better than Cuisinart juicers personally I think the quality of Cuisinart is a little better, but some of the Hamilton Beach juicers are cheaper. They also have a 3 year warranty. It is worth comparing both the Cuisinart and Hamilton Beach juicers before you make a decision to buy. I hope that you have enjoyed our Cuisinart juicer review. Is there anything else you'd like to know. What has your experience been with a Cuisinart juicer. Let us know in the comments below. Our payment security system encrypts your information during transmission. We don't share your credit card details with thirdparty sellers, and we don't sell your information to others. Please try again.Please try again.

Our technicians use the latest authorized manufacturer tools to help you troubleshoot issues. To access this option, go to Your Orders and choose Get product support.Show details Register a free

business account Please try your search again later. The adjustable autoreversing reamer features custom pulp control settings for your family's preference, and the unique FinalSpin feature maximizes the amount of juice from each piece of fruit. Dishwashersafe parts make cleanup a breeze. To calculate the overall star rating and percentage breakdown by star, we don't use a simple average. Instead, our system considers things like how recent a review is and if the reviewer bought the item on Amazon. It also analyzes reviews to verify trustworthiness. Please try again later. Patrick Mains 5.0 out of 5 stars I was wrong. I bought this juicer after watching the Barefoot Contessa on the Food Network use it in almost every episode, and now I know why. Let me just lay out the benefits of using an electric citrus juicer as opposed to using a wooden reamer. First of all, if you need to measure out a precise amount of citrus juice for a recipe, it is much easier to put a measuring cup under the plastic snapup spout of the electric juicer rather than trying to aim into the measuring cup using a wooden reamer. Second, electric juicers get so much more juice out of citrus fruits than a regular lemon squeezer. The Cuisinart citrus juicer automatically switches the direction of the reamer to get the most out of the citrus. Another benefit of electric juicers is the fact that when you are using an electric juicer citrus juice wont squirt into your eyes as does a manual juicer. How the finalspin feature works is that once you take the empty citrus off of the reamer, you press the clear plastic lid down onto the juicer which makes the reamer spin really fast and uses centrifugal force to squeeze all the juice out of the remaining pulp. You just cant do that with a wooden reamer.



Another benefit of the Cuisinart juicer is that it filters out the pulp. Most if not all electric citrus juicers have this feature, however, most manual juicers dont. Also, with the Cuisinart, every removable part is dishwasher safe which is very convenient for cleaning. I mentioned the snapup spout earlier in this review but I didnt explain what it was. Basically, the snapup spout stops the juice from getting on your countertop which is especially useful if you dont want lemon juice all over your counters. The Cuisinart juicer features a stainless steel body which looks very nice and will definitely last a long time. A lot of electric juicers motors are very loud, but that isnt the case with

the Cuisinart. The Cuisinart isn't that loud and won't interrupt normal conversations. Overall, electric citrus juicers offer many benefits over manual juicers, and if you are willing to purchase one I would fully recommend the Cuisinart for its final spin feature and its stainless steel body. They simply don't care and it makes me mad. This juicer has a 3 year warranty. It stopped working after 6 months not even a lot of use. It took 4 phone calls and hours on the phone with them to discover that although it has a 3 year warranty. The product itself does not cost that much!!! when I asked the customer service rep and the manager if there is something they could do. I am switching brands and buying something else as opposed to spending the same amount on shipping. Poor customer service. I've had issues with most Cuisinart products I've purchased in the past and am happy to put them in any garage sale. I bought this to replace a workhorse Sunbeam that I had for years. I liked this juicer a lot when it first arrived. Amazon only has a 30 day return policy so I called Cuisinart customer service. If you need a juicer, buy this one. I immediately searched Amazon, found a juicer with good reviews that could also be delivered the same day and ordered it.



The next day we picked oranges and tested out the juicer. It is amazing! My two favorite features are 1. Pulp Management. I love lots of pulp in my juice so I have it set to wide open. Other members of the family want less so with a simple twist, less pulp makes it to the glass. Little more than a flush under running water is needed. I know it can go in the dishwasher, but I'm not sure I will ever clean it that way. They were juicy! Of course your variety and size of orange will determine how much juice you will get from each one, but as you can see from the photos, this juicer completely cleaned out the peels. Nothing left behind. You will be able to get every drop of juice available in your fruit. Final Recommendation Just buy it! Sorry, we failed to record your vote. Please try again Este exprimidor no permite exprimir mas de 4 naranjas sin que se quede tapado y hay que estarlo limpiando a cada rato. Compramos otro de menos precio pero que es mas ancho y funciona muchisimo mejor, ademas que tiene menos piezas, por lo que el lavado es mas facil. Sorry, we failed to record your vote. Please try again I am quite glad I got it as it does a better job at juicing my oranges, lemons, and limes as opposed to a manual juicer. There is one slight problem. There is a tendency to get some of the skin from the fruit while juicing. However, that really depends on how hard you are pressing down on the fruit. Sorry, we failed to record your vote. Please try again Hasta el momento lo he ocupado para hacer bastante jugo y preparar agua de naranja sin ningun problema. Es muy facil de usar y limpiar. Nada de que se calienta ni nada despues de muchas naranjas adicional de que tiene buena potencia para su uso. Si recomiendo que vean el video de este

producto en Amazon para un par de tips que tiene. Ampliamente recomendable Sorry, we failed to record your vote. Please try again El jugo no sale colado, buscaba un aparato que saliera solamente jugo sin la pulpa.



Sorry, we failed to record your vote. Please try again In order to navigate out of this carousel please use your heading shortcut key to navigate to the next or previous heading. You can unsubscribe at anytime. Subscribe Personal information provided may be collected, used and disclosed in accordance with our Privacy Policy Connect with Us Connect with us on your favourite social networks. We'll let you know what we're up to, and you can tell us how we're doing. And by having access to our ebooks online or by storing it on your computer, you have convenient answers with Cuisinart Citrus Juicer Manual. To get started finding Cuisinart Citrus Juicer Manual, you are right to find our website which has a comprehensive collection of manuals listed. Our library is the biggest of these that have literally hundreds of thousands of different products represented. I get my most wanted eBook Many thanks If there is a survey it only takes 5 minutes, try any survey which works for you. Simply unplug the unit, rest it for 30 minutes and continue. 1. Do not operate your appliance in an appliance 2 garage or under a wall cabinet. When storing in an appliance garage always unplug the unit from the electrical. Operating Instructions..... Be careful not to touch the blades in the bottom. Do not immerse the motor housing in water or spray it with water. Clean only by wiping with a damp sponge, cloth or paper towel. Use any liquid dishwashing detergent, but do not use any products containing ammonia or scouring powders, as these products will dull, scratch or mar the finish. 2. Remove the food pusher from cover. 3. Move the safety bar to the unlock position. It is unlocked if it is at rest at the back of the motor base. For easy cleanup, use cleaning brush to. Experiment to discover your favorite combinations. This warranty does not cover any damage caused by accident, misuse, shipment or other than ordinary household use.

This warranty excludes all incidental or consequential damages. Some states do not allow the exclusion or limitation of these damages, so these exclusions may not apply to you. You may also have other rights, which vary. Make this juice when you're feeling under the weather, for it provides you with twice your daily value of vitamin C and over four times your daily need of vitamin A! Made just for kids, it is a great juice to introduce to your children starting around 18 months since it

contains no citrus. Prices are indicative only and may vary by country, with changes to the cost of raw materials and exchange rates. This amount is subject to change until you make payment. For additional information, see the Global Shipping Programme terms and conditions opens in a new window or tab This amount is subject to change until you make payment. If you reside in an EU member state besides UK, import VAT on this purchase is not recoverable. For additional information, see the Global Shipping Programme terms and conditions opens in a new window or tab Delivery times may vary, especially during peak periods and will depend on when your payment clears opens in a new window or tab. Learn more opens in a new window or tab This amount is subject to change until you make payment. For additional information, see the Global Shipping Programme terms and conditions opens in a new window or tab The item may have some signs of cosmetic wear, but is fully This item may be a floor model or an item that has been returned to the seller after a period of use. See the seller's listing for full details and description of any imperfections. All Rights Reserved. User Agreement, Privacy, Cookies and AdChoice Norton Secured powered by Verisign. Ask your question here. Provide a clear and comprehensive description of the issue and your question. The more detail you provide for your issue and question, the easier it will be for other Cuisinart CJE1000 owners to properly answer your question.

<https://www.hotel-margherita.com/wp-content/plugins/formcraft/file-upload/server/content/files/16288c37587a00---cannondale-repair-manual.pdf>

Ask a question About the Cuisinart CJE1000 This manual comes under the category Juicers and has been rated by 1 people with an average of a 5.9. This manual is available in the following languages English. Do you have a question about the Cuisinart CJE1000 or do you need help. Ask your question here Cuisinart CJE1000 specifications Brand ManualSearcher.com ensures that you will find the manual you are looking for in no time. Our database contains more than 1 million PDF manuals from more than 10,000 brands. Every day we add the latest manuals so that you will always find the product you are looking for. Its very simple just type the brand name and the type of product in the search bar and you can instantly view the manual of your choice online for free. ManualSearcher.com If you continue to use this site we will assume that you are happy with it. Read more Ok.